

Products > Balls & Hemispheres > BK-7 Glass Hemispheres

BK-7 Hemisphere Lenses

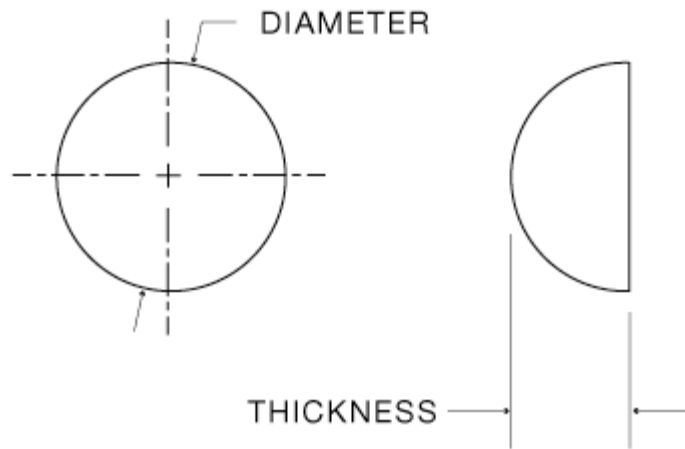
BK-7 Hemisphere Lenses are ideal for mounting in your instrument and ease of handling.

Typical Applications: Fiber Optics, LEDs



Model	Diameter	Diameter (Mm)	Thickness	Material
HBK7-0.5	0.197"	0.50	.0098"	BK-7
HBK7-1.0	.0394"	1.00	.0197"	BK-7
HBK7-1.5	.0590"	1.50	.0295"	BK-7

Hemisphere Lens Cross Section



NOT SEEING EXACTLY WHAT YOU NEED?

We specialize in creating a wide range of custom optical components and custom mechanical components including a variety of shapes - from internal holes and tapers to outer flanges, angles and surface finishes. Contact us (800-922-0118) and we will consult with you to create a custom component that meets all of your specifications.